



## Connector Bodies

| Watertight Safety-Shroud®                  |                        | IP66 SUITABILITY |   | UL Type 4x, 12 |  |
|--|------------------------|------------------|---|----------------|--|
| Description                                | Cord Dia.              | Catalog Number   |   |                |  |
| Black Valox® housing, white Valox® clamps. | .350"-1.150"<br>(9-29) | <b>HBL2513SW</b> | - | -              |  |

| Insulgrip®                         |                        | IP20 SUITABILITY |                |                |
|------------------------------------|------------------------|------------------|----------------|----------------|
| Description                        | Cord Dia.              | Catalog Number   |                |                |
| Black and white nylon.             | .350"-1.150"<br>(9-29) | <b>HBL2513</b>   | <b>HBL2523</b> | <b>HBL2533</b> |
| All black nylon.                   | .350"-1.150"<br>(9-29) | <b>HBL2513BK</b> | -              | -              |
| Corrosion resistant, yellow nylon. | .350"-1.150"<br>(9-29) | <b>HBL25CM13</b> | -              | -              |
| Black and white for flat cable.    | .350"-1.150"<br>(9-29) | <b>HBL2513FC</b> | -              | -              |

Note: See page B-53 for accessories.



HBL2513SW

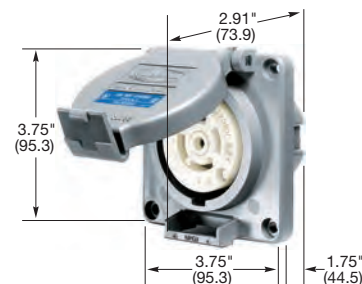


HBL2513

## Receptacles

| Watertight Safety-Shroud®                   |                  | IP66 SUITABILITY |   | UL Type 4x, 12 |   |
|---|------------------|------------------|---|----------------|---|
| Description                                 | Catalog Number   |                  |   |                |   |
| Gray Valox® housing and flange, back wired. | <b>HBL2510SW</b> | -                | - | -              | - |

Note: See page B-54 for accessories.



HBL2510SW

| Safety-Shroud® Twist-Lock®                          |                   | IP20 SUITABILITY |   |   |
|---|-------------------|------------------|---|---|
| Description   | Catalog Number    |                  |   |   |
| Gray Valox® angle housing, one gang, back wired.    | <b>HBL2510AR</b>  | -                | - | - |
| Gray Valox® surface mounting, one gang, back wired. | <b>HBL2510SR</b>  | -                | - | - |
| Gray Valox® semi-flush, two gang, back wired.       | <b>HBL2510SR2</b> | -                | - | - |

Note: See page B-54 for accessories.



HBL2510AR

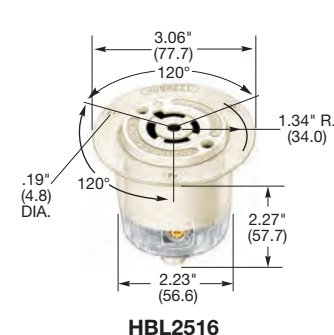
| Single Flush Receptacles                                 |                | IP20 SUITABILITY |                 |  |
|--|----------------|------------------|-----------------|--|
| Description  | Catalog Number |                  |                 |  |
| Black nylon face, back and side wired.                   | <b>HBL2510</b> | <b>HBL2520*</b>  | <b>HBL2530*</b> |  |
| Isolated ground, orange nylon face, back and side wired. | <b>IG2510</b>  | -                | -               |  |

Note: \*Not Fed Spec.  
See page B-52 for accessories.

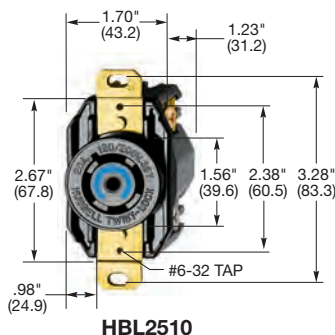
## Insulgrip® Flanged Receptacles

| Description               | Catalog Number |                |                |  |
|---------------------------|----------------|----------------|----------------|--|
| Nylon casing, back wired. | <b>HBL2516</b> | <b>HBL2526</b> | <b>HBL2536</b> |  |

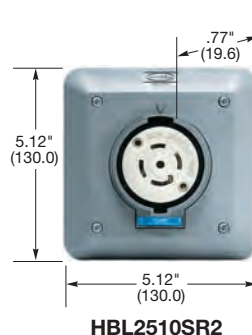
Note: See page B-52 for accessories.



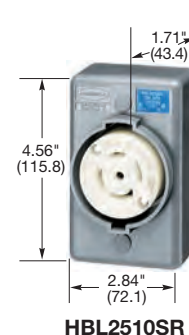
HBL2516



HBL2510



HBL2510SR2



HBL2510SR

Valox® is a trademark of SABIC Innovative Plastics, acquired from General Electric Company.

Dimensions in Inches (mm)